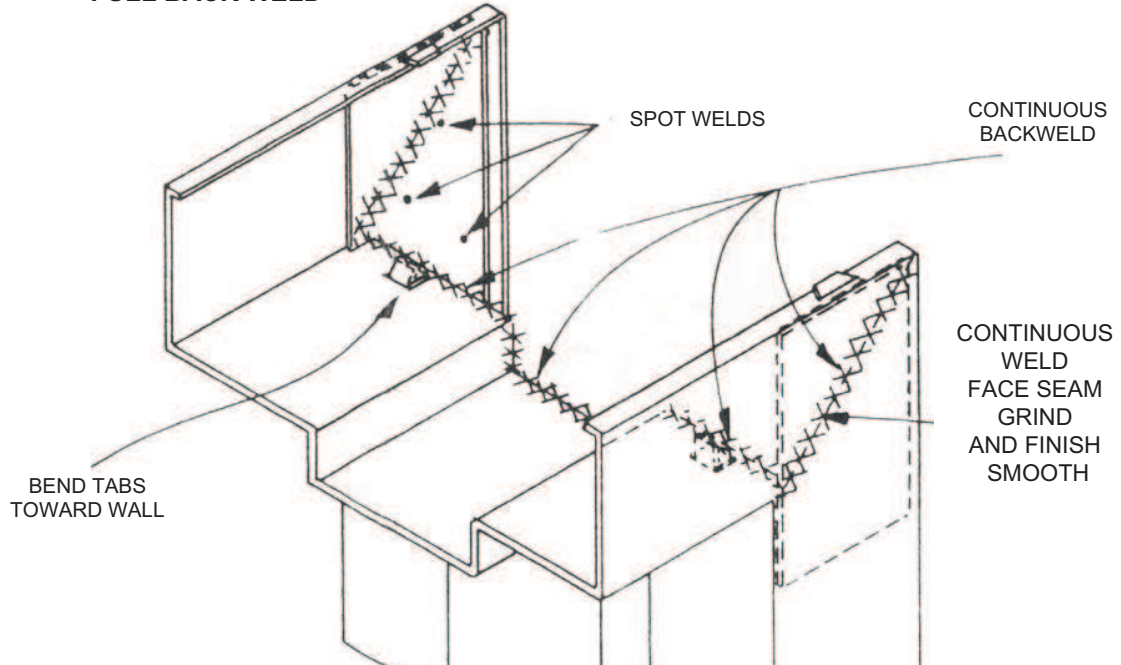


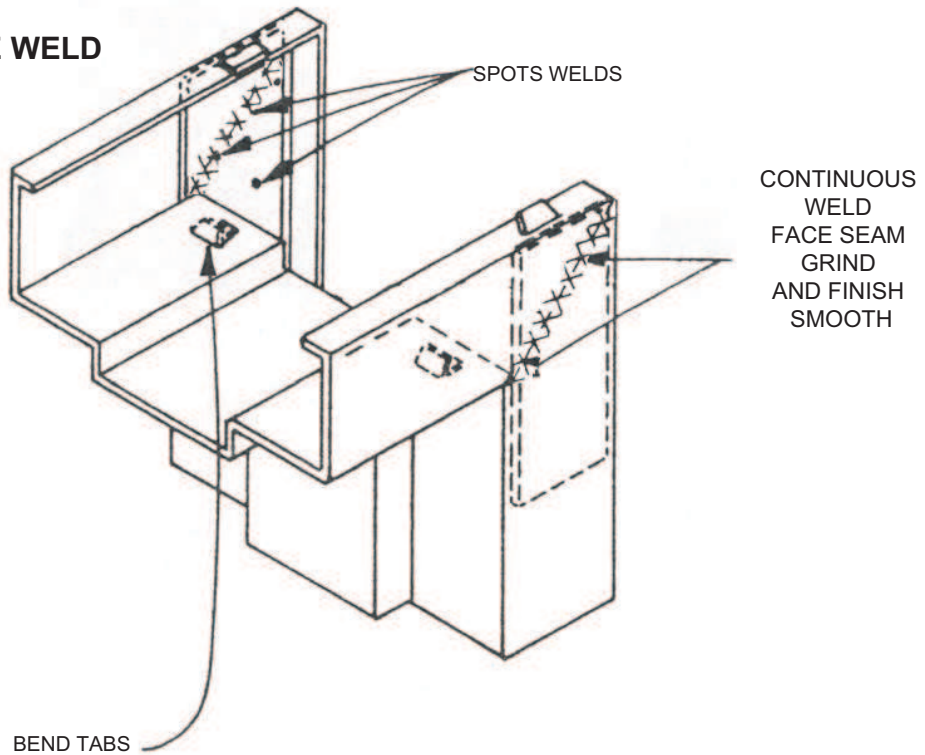
TECHNICAL DATA SHEET

F - 100 - 08
M SERIES CONTINUOUS
FACE & BACKWELD

FULL BACK WELD



FACE WELD



Issue Date: January 2006

REVISED : 02/01/2009

